

# VT666/2.8

XX VIDEOTEKNIKA

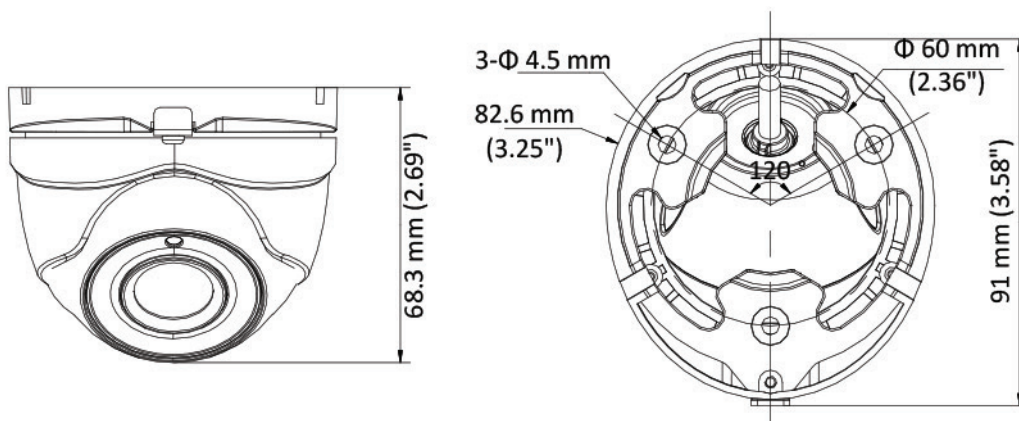
## 2 MP WDR EXIR Turret Camera



### Key Features

- 2 MP High-performance CMOS
- HD 1080P
- Analog HD output, up to 1080P resolution
- 2.8mm Fixed Lens
- True Day/Night
- OSD menu, DNR, Smart IR
- EXIR technology, up to 20m IR distance
- IP66 weatherproof
- True WDR, up to 120dB

### Dimensions



# VT666/2.8



## 2 MP WDR EXIR Turret Camera

MODEL	VT666/2.8
Image Sensor	2MP CMOS Image Sensor
Signal System	PAL/NTSC
Effective Pixels	1928(H)*1088(V)
Min. illumination	0.01 Lux @ (F1.2,AGC ON),0 Lux with IR
Shutter Time	1/25(1/30)s to 1/50,000s
Lens	2.8 mm fixed Lens Angle of View: 103°(2.8mm)
Lens Mount	M12
Day & Night	ICR
Angle Adjustment	Pan: 0° - 360°; Tilt:0° - 75°; Rotate: 0° - 360°
Synchronization	Internal Synchronization
WDR	120dB
Video Frame Rate	1080p@25fps/1080p@30fps
HD Video Output	1 HD analog output
S/N Ratio	>62dB
Menu	
AGC	Support
D/N Mode	Color/BW/SMART
White Balance	ATW/MWB
BLC	Support
Functions	Wide Dynamic Range, Digital noise reduction, Mirror, SMART IR
General	
Operating Conditions	-40 °C – 60 °C (-40 °F – 140 °F), Humidity 90% or less (non-condensing)
Power Supply	12 VDC±15%
Power Consumption	Max. 5W
Protection Level	IP66
IR Range	Up to 20m
Communication	Up the coax, Protocol: (TVI output)
Dimensions	91mm×82.6mm×68.3mm (3.58"×3.25"×2.69")
Weight	Approx. 350g (0.77lb)